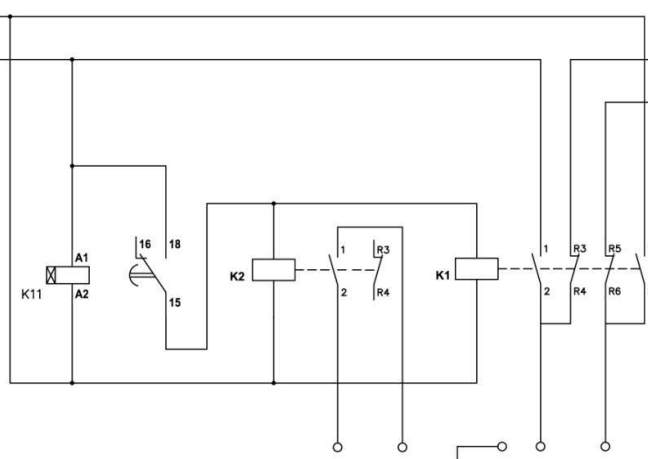


**INPUT 1
(Generator)**

N1
L1
PE

**INPUT 2
(Shore)**

L2
N2
PE



K11- TIME RELAY ZR5ER011 (on delay, 10s)
K1- MODULAR CONTACTOR R40-22,230V
K2- MODULAR CONTACTOR R11-20,230V

**NO, AUX
CONTACT**

PE L N
OUTPUT