

Specifications

Nominal Voltage (V)		12	
Nominal Capacity (AH)		250	
Dimensions	Length	520 mm	20.47 inch
	Width	269 mm	10.59 inch
	Height	220 mm	8.66 inch
	Total Height	245 mm	9.65 inch
Approx. Weight		73 kgs	160.94 lbs
Standard Terminals		V6	
Case Material		ABS UL 94-HB	

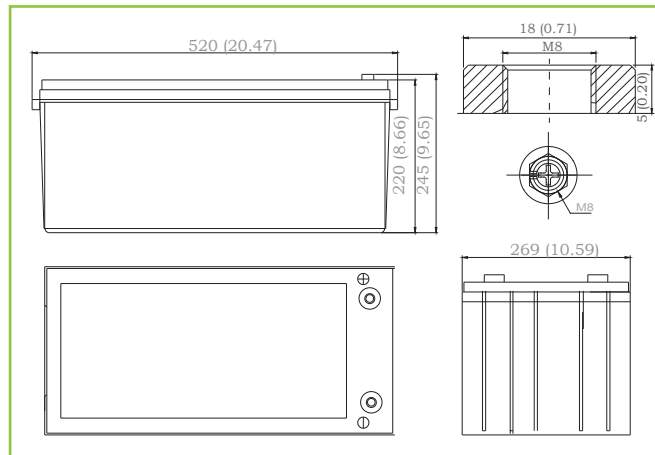
Characteristics

Capacity	20 hour rate	12.50 A	250.00 Ah
	10 hour rate	23.75 A	237.50 Ah
	5 hour rate	40.12 A	200.60 Ah
	1 hour rate	155.0 A	155.00 Ah
	15 Min Rate	425.0 A	106.25 Ah
Internal Resistance		3.5 mΩ	
Max. Discharge Current (5 sec)		2000 A	
Constant Voltage Charge Method	Max. Charge Current	75 A	
	Standby Use	2.25 - 2.30 V /Cell	
	Cycle Use	2.40 - 2.50 V /Cell	
Operating Temperature Range	Discharge:	-15 ~ 50 °C (5 ~ 122 °F)	
	Charge:	-15 ~ 40 °C (5 ~ 104 °F)	
	Storage:	-15 ~ 40 °C (5 ~ 104 °F)	
Temperature coefficient	For standby use:	-3.3mV / °C /Cell	
	For cycle use:	-5.0mV / °C /Cell	
Self discharge 25°C (77°F)	After 3-month	91%	
	After 6-month	82%	
	After 12-month	64%	
Temperature dependency of Capacity	40 °C (104 °F)	102%	
	25 °C (77 °F)	100%	
	0 °C (32 °F)	85%	
	-15 °C (5 °F)	65%	

Discharge Voltage vs Discharge Current

Final Voltage V/Cell	1.75	1.70	1.60	1.30
Discharge Current (A)	0.2C>(A)	0.2C<(A)<0.5C	0.5C<(A)<1.0C	(A)>1.0C

Dimensions



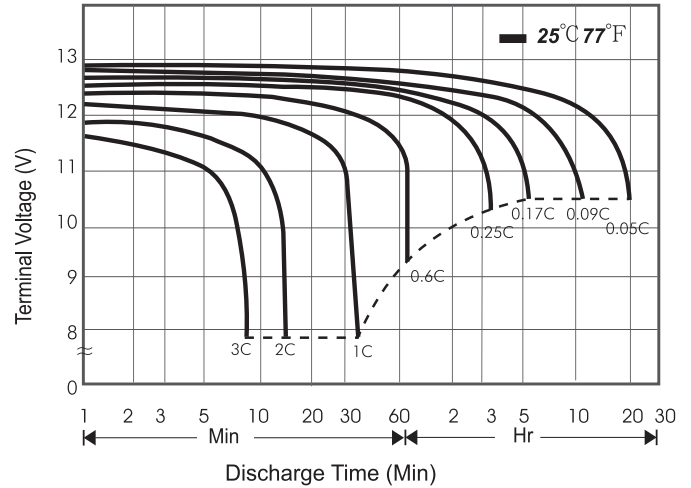
LVL 250-12

LVL 250-12 VRLA (valve-regulated lead acid) battery is designed for general purpose application with 10 years standby life at 25°C. This battery is rechargeable, highly-efficient, leak-proof and maintenance-free.

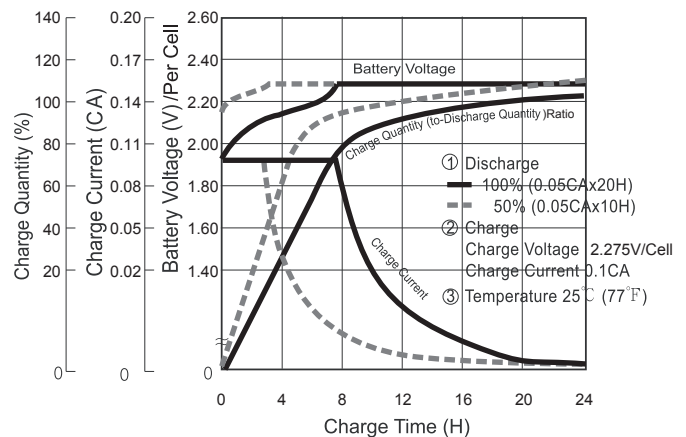
LivEn is ISO9001 and UL certified for quality assurance.



Terminal Voltage (V) and Discharge Time



Battery Voltage and Charge Time for Standby Use



Constant Current Discharge Characteristics Unit:A (25°C, 77°F)

VpcEnd	5MIN	10MIN	15MIN	20MIN	30MIN	60MIN	2HR	3HR	4HR	5HR	6HR	10HR	20HR
1.60	816	620	469	385	291	158	96.4	69.5	56.0	43.9	31.8	26.7	14.1
1.65	773	605	459	378	287	155	95.8	68.4	55.3	43.2	31.6	26.4	13.8
1.70	729	590	450	371	283	153	95.1	67.4	54.6	42.5	31.3	26.1	13.6
1.75	681	574	439	362	276	151	94.4	67.4	54.6	42.5	31.1	25.9	13.3
1.80	664	526	420	350	270	149	88.4	64.8	53.3	41.8	30.5	25.6	12.8
1.85	536	410	346	303	251	144	85.4	61.3	50.5	41.6	29.2	25.1	12.4
1.90	433	319	285	263	234	139	82.5	57.9	47.9	41.5	28.0	24.6	12.0

Constant Power Discharge Characteristics Unit:W (25°C, 77°F)

VpcEnd	5MIN	10MIN	15MIN	20MIN	30MIN	60MIN	2HR	3HR	4HR	5HR	6HR	10HR	20HR
1.60	9098	6946	5395	4457	3405	1861	1140	830	669	525	369	300	167
1.65	8608	6778	5287	4375	3351	1831	1133	816	661	517	367	297	164
1.70	8119	6609	5179	4294	3298	1800	1126	803	653	509	365	295	162
1.75	7593	6420	5044	4195	3236	1788	1120	803	653	509	362	292	159
1.80	7404	5894	4829	4048	3156	1723	1045	769	636	501	354	290	154
1.85	5188	4036	3706	3247	2695	1666	984	706	584	481	341	283	148
1.90	3635	2764	2845	2605	2301	1612	926	649	536	462	329	275	142