

Trouble shooting for error 52

Suitable for SAKO inverter: SUNSEE/SUNON/SUNON PLUS/SUNPOLO

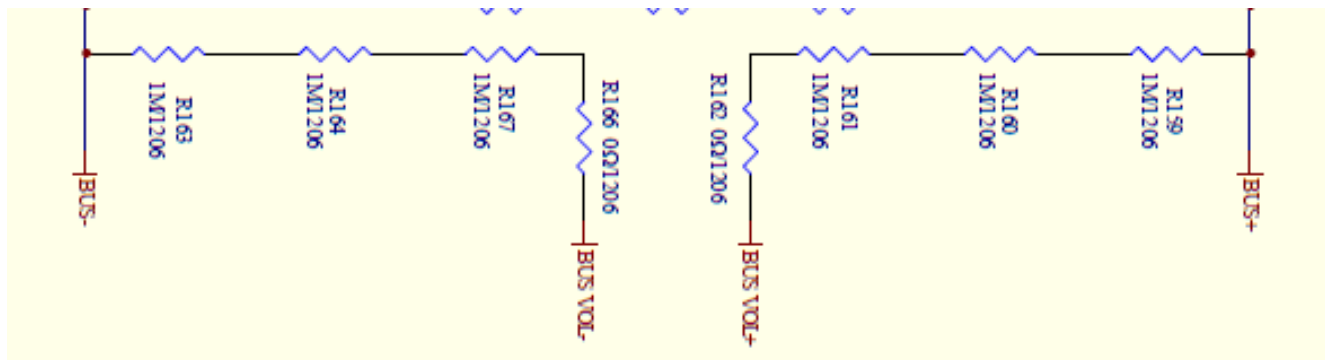
Error code 52, Bus voltage is too low

Trouble shooting:

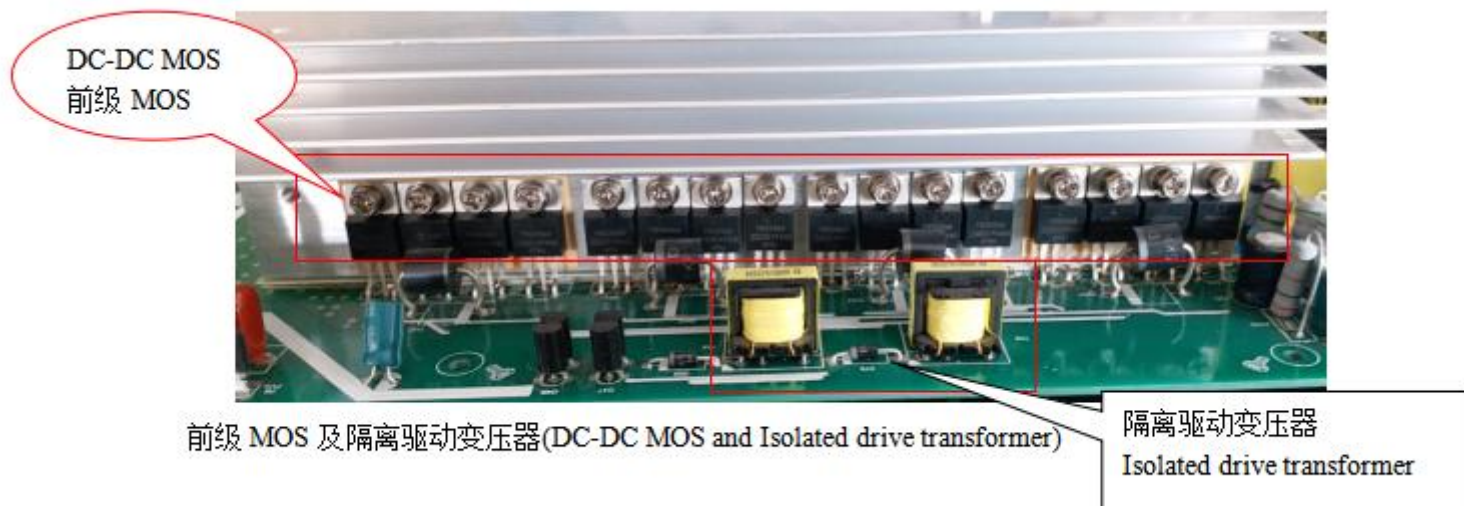
Step 1. Disconnect the load, grid input and solar input. Just connect battery and turn on the inverter. If still problem, go to step 2.

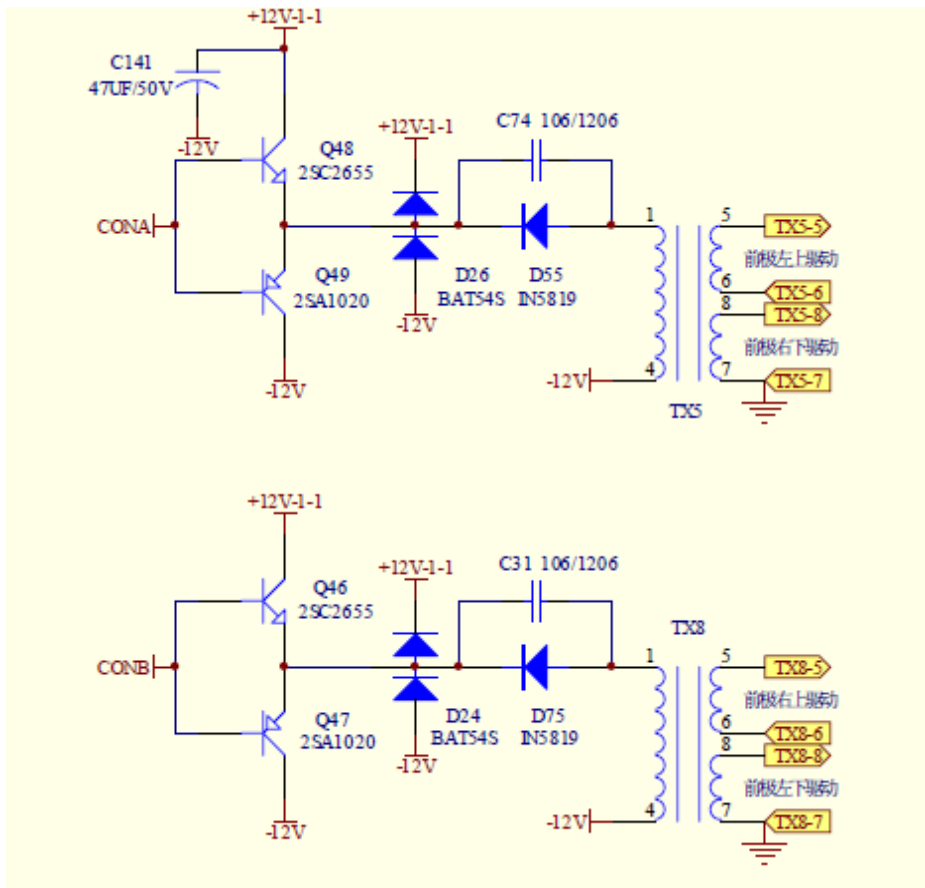
Step 2. Check the battery voltage, if the battery voltage is too low (lower than 24v for 3k, and lower than 48v for 5K.), charge the battery in time. If still problem, go to steps 3.

Step 3. Disconnect all power source, and open the top cover, take out the main board, place the main board on the insulated tables. Check bus voltage and check the circuit resistance with multimeter . If any damage, replace them. (See below picture). If ok go to step 4

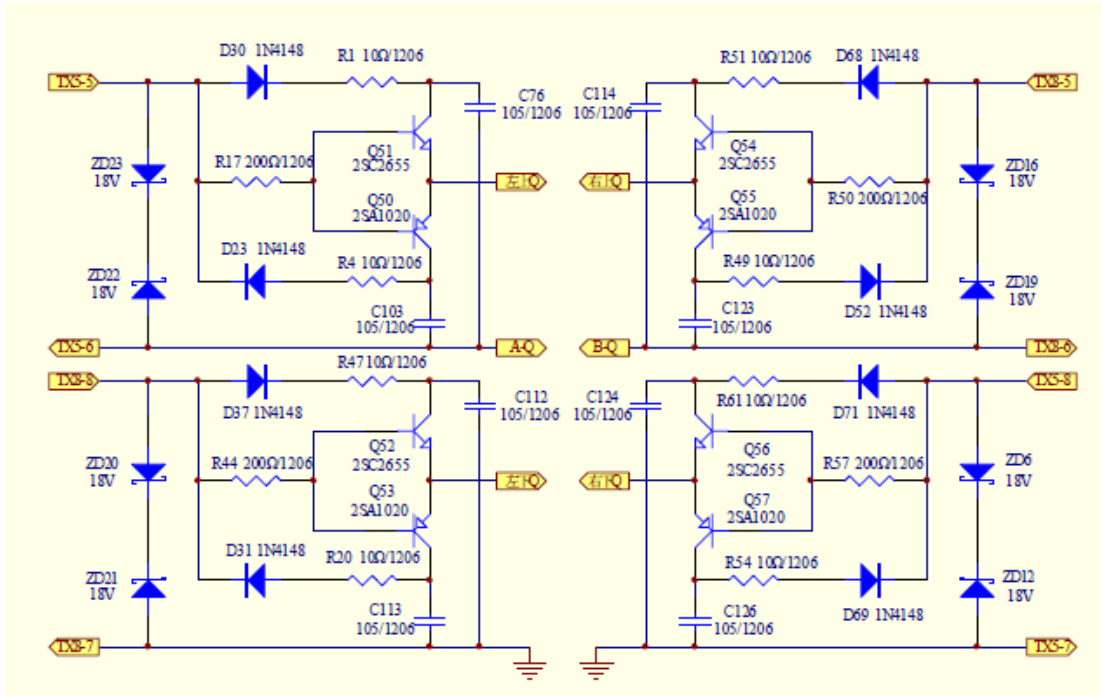


Step 4. Test the DC-DC MOS and Isolated drive circuit with multimeter, replace the damaged components (See as below pictures)





Isolated drive transformer



DC-DC drive circuit